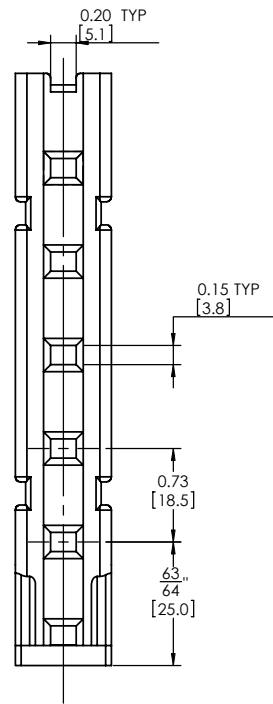
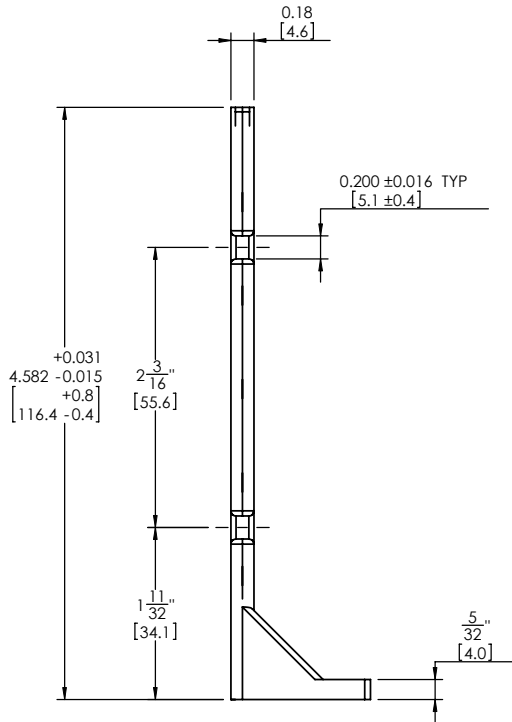
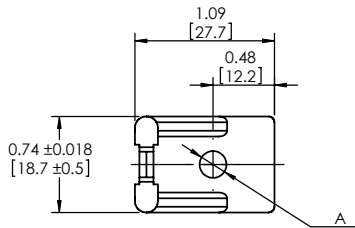
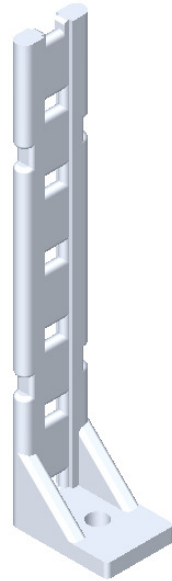


PART NUMBER	Diameter A
FTH-24-01	Ø0.21(Ø5.3) FOR #10 SCREW
FTH-24-1-01	Ø0.25(Ø6.4) FOR M6 AND 1/4" SCREW



NOTE:

1. Material: NYLON 6/6 (RMS-01);
2. COLOR: NATURAL;
3. ALL MOUNTING SLOTS ACCOMMODATES WIT-18 THRU WIT-60, AND QTE-18 THRU QTE-50 TIES.

H	SEE CO 220014 FOR CHANGES	M.C 14/11/08
G	SEE CO 220002 FOR CHANGES	M.C 28/05/08
---	SEE ENGINEERING FOR REV A-F	---
R E V	DESCRIPTION	ENGR. DATE

TITLE: **FLAT TIE HOLDER**



TOLERANCES UNLESS NOTED .XX=±.010 .XXX=±.005 FRAC.=±1/64 ANG.=±1°	FILE #: FTH-24	DWN: P.B	APP:	PART # SEE TABLE	PRINT TYPE CA
	MAT'L: SEE NOTES	DT: 05-25-95	CHKD: W.H		
	RE: RICHCO	RICHCO, XIAMEN RICHCO_XIAMEN@RICHCO.CN (+86) 0592-4884500			